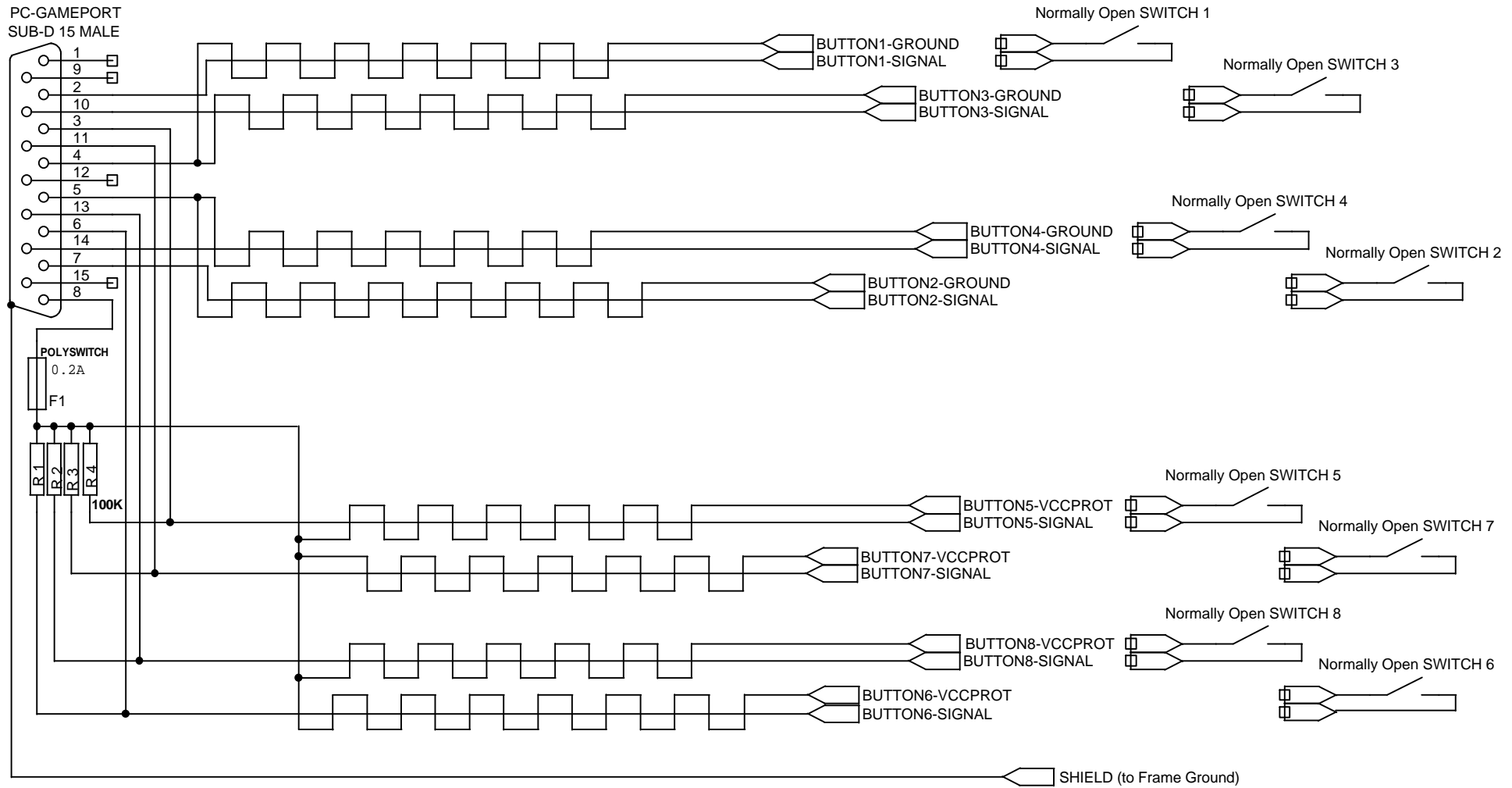


8 Twisted-Pairs Shielded Cable



***** PC GAMEPORT PINOUT *****
 1 5V 6 JOY1YPOT 11 JOY2XPOT
 2 JOY1FIRE1 7 JOY1FIRE2 12 MIDIOUT/GND
 3 JOY1XPOT 8 5V 13 JOY2YPOT
 4 GND 9 5V 14 JOY2FIRE2
 5 GND 10 JOY2FIRE1 15 MIDIIN/5V

(C)Digimedia MLS 2000 - All Rights Reserved

Title
PC Gameport 8 Pushbuttons Cable

Size A	Document Number SWCAB21_8switch.DSN	Rev 2.1
-----------	--	------------

Date: Wednesday, April 12, 2000 Sheet 1 of 1